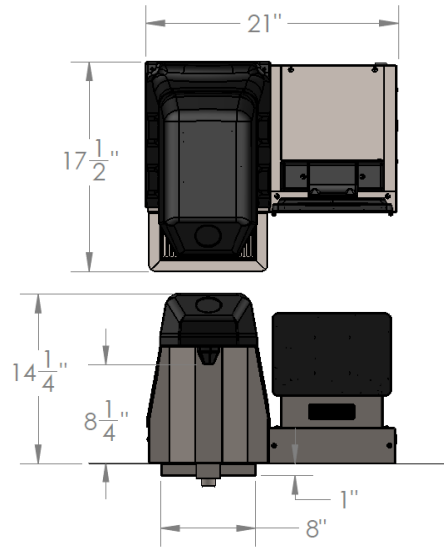




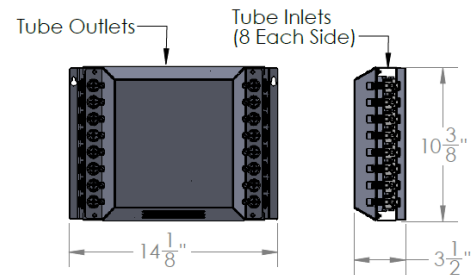
Provide fast, consistent, and professional cocktails with the all new A800, A1800, A3400, or A5000 Automated Cocktail Dispensing System. The sleek, low profile design makes this liquor dispensing system suitable for any FOH or BOH bar application. Easy touch-to-pour drink dispensing, whether ordering through the Smartender User Interface or interfaced with a Point-of-Sale system.



Pouring Head
(Shown with screen on right side)



Underbar Mounted Valve Box
(Quantity varies per model)



Features & Benefits

- Patent pending pouring nozzle provides quality product taste for all ingredients.
- Advanced drink modifier recognition to interface with the most unique Point of Sale setups.
- Custom Cocktail feature allows for any called cocktail to quickly be built and dispensed to the guest's request.
- Remote machine management and reports via the Smartender Ops Service when online.
- Simple operation with customizable prompts throughout the pouring process.
- Simultaneous pouring of liquors and mixer result in an average pour time of 4 seconds per drink.
- Accurate liquor pours to within 1/16th of an ounce.
- Customizable alcohol service schedule allows or denies access by date and time.
- Epson OmniLink Point of Sale Interfacing compatible.
- Integrates with all major Bag in Box mixer systems.
- Integrates with all major liquor delivery systems.

Specifications

Liquor Capacity	8/18/34/50 different liquors
Mixer Capacity	6/12 different Bag in Box mixers
Electrical	120-240 VAC, 50/60 Hz, 1 amp
Regulatory	ETL Electrical and Sanitation
Material	Stainless Steel base construction
Weight (Pouring Head)	55 lbs. (25 kg)
Display	10" Capacitive Touch Screen
Connectivity	2.4/5.0 GHz Wireless, LAN
Drain	Single 1/2" FNPT
HID Connectivity	Magnetic Stripe Card Reader

1(866)399-7160

CONTACT@SMARTBARUSA.COM

WWW.SMARTBARUSA.COM