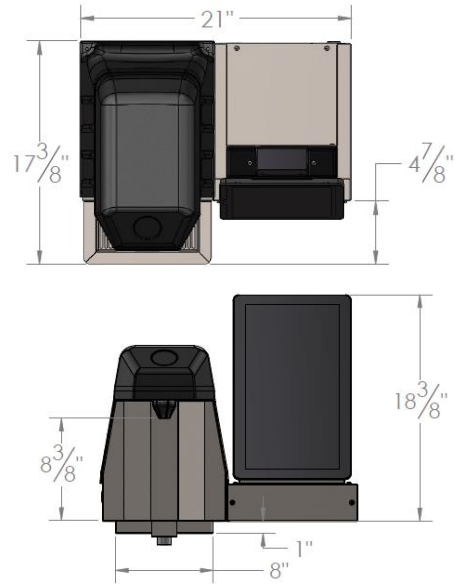




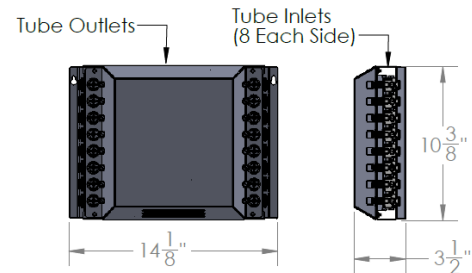
Add another bar to provide cocktails without adding any staff by giving patrons the power to pour their own cocktails using the Smartender Self-Serve cocktail dispensers. The onboard QR scanner fetches the order from a Point-of-Sale System and displays the order in a ready to pour screen when a QR code is scanned.



Pouring Head
(Shown with screen on right side)



Underbar Mounted Valve Box
(Quantity varies per model)



Features & Benefits

Provides a sanitary self-serve cocktail station when paired with an appropriate ice dispenser.

Quick beverage pouring operation at dispenser due to beverage order being placed beforehand.

Customizable prompts to guide patrons through the pouring process.

2D Barcode scanner brings up order when a valid QR/barcode is scanned.

Order memory ensures orders are single use only.

Enhanced administrative functions allow managers to reinstate or delete a beverage order.

Patented pouring nozzle provides quality product taste for all ingredients

Accurate liquor pours to within 1/16th of an ounce.

Customizable alcohol service schedule allows or denies access by date and time.

Integrates with all major Bag in Box mixer systems.

Integrates with all major liquor delivery systems.

NOTE: Patron eligibility is responsibility of establishment.

Specifications

Liquor Capacity	8/18/34/50 different liquors
Mixer Capacity	6/12 different Bag in Box mixers
Electrical	120-240 VAC, 50/60 Hz, 1 amp
Regulatory	ETL Electrical and Sanitation
Material	Stainless Steel base construction
Weight (Pouring Head)	55 lbs. (25 kg)
Display	15" Capacitive Touch Screen
Connectivity	Wired LAN,
Drain	Single ½" FNPT
HID Connectivity	2D Barcode Reader

1(866)399-7160

CONTACT@SMARTBARUSA.COM

WWW.SMARTBARUSA.COM